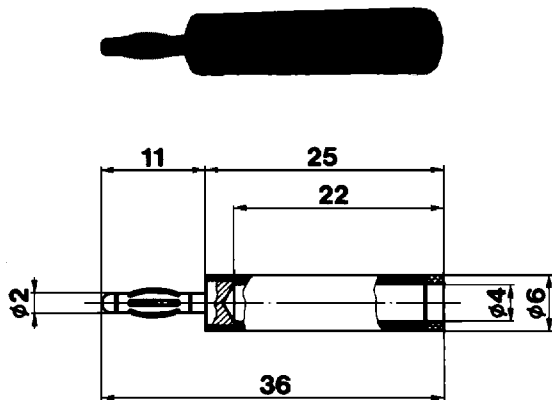


Part No.	Type	Nominal diameter	Withdraw. force	Rated current	Contact resistance
----------	------	------------------	-----------------	---------------	--------------------

24.0115	A 2/4	2 mm	-	25 A	0.6 mΩ
---------	-------	------	---	------	--------



1.3:1

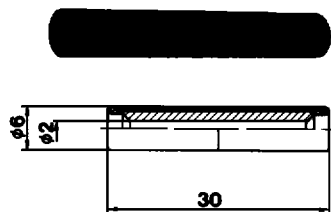
Universal adapter, 2 mm (.080 in) dia. Multilam™ plug on one end and 4 mm (.160 in) dia. in-line socket on the other end.

Machined brass, gold plated and polyamide insulated. Used with standard or safety plugs.

Operating temperature: -40°C to +80°C (-40°F to 176°F)

Colors: 1, 2, 4, 5

24.0140	KK 2/2
---------	--------



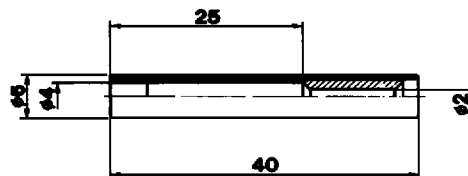
2 mm	-	15 A	-
4 mm	-	19 A	-

Universal coupler KK 2/4 with 2 mm (.080 in) dia. socket on one end, 4 mm (.160 in) dia. socket on other end. Also, KK 2/2 with 2 mm (.080 in) dia. sockets on both ends.

Operating temperature: -10°C to +80°C (14°F to 176°F)

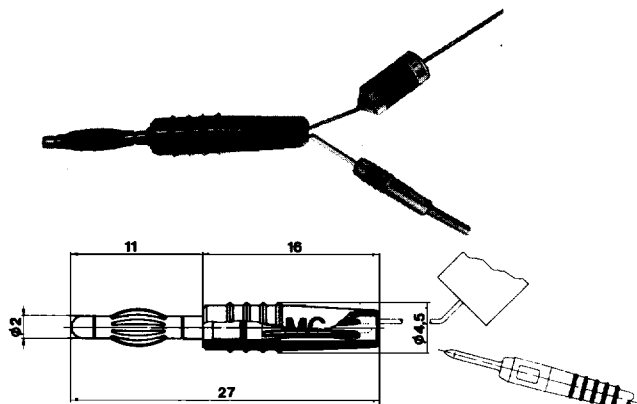
Colors: 1, 2, 4, 5

24.0141	KK 2/4
---------	--------



1:1

24.0120	KH 2
---------	------



1.5:1

2 mm	-	-	-
------	---	---	---

MC®-Multilam™ plug and rear socket for connection of electrical components with wires up to 0.76 mm (.030 in) dia. Socket also suitable for pins such as LK 0.76-S. The plug can also be used as reducer from 2 mm (.080 in) dia. to 0.76 mm (.030 in) dia. systems. Machined brass, gold plated, polyamide insulated.

Colors: 1 - 9

Nominal diameter Withdraw. force Rated current Contact resistance

Type

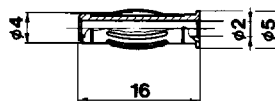
Part No.

2/4 mm

-

25 A

1.0 mΩ



R 4/2

24.0110

Adapter 4 mm (.160 in) dia. to 2 mm (.080 in) dia. to reduce 4 mm socket to 2 mm. Machined brass, gold plated with MC®-Multilam™. Polyamide insulated (R4/2-A only).

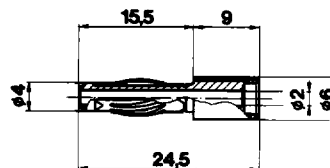
Operating temperature: -10°C to +70°C (14°F to 158°F)

Colors: (R4/2-A only): 1, 2, 4, 5



R 4/2-F (internal Multilam™)

24.0107



R 4/2-A

24.0106

1:1

2/4 mm

-

-

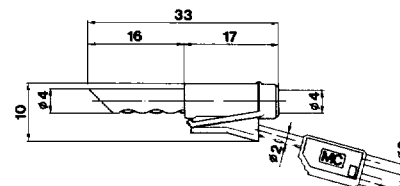
-

Fits any 4 mm (.160 in) dia. socket. Tapping from rear is possible simultaneously with spring-loaded 2 mm (.080 in) dia. and 4 mm (.160 in) dia. plugs.

Components and ratings:

- Hollow plug LS 4 # 22.1005
- Insulator (polyamide) KT 4-A # 22.2050
- Operating temperature: -10°C to +80°C (14°F to 176°F)

Colors: 1 - 9

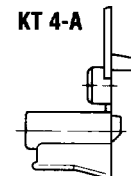
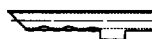


1:1.3

AZ 4/4-2 22.3000

LS 4

KT 4-A



1:1.3

0 - green/yellow 1 - red 2 - blue 3 - white 4 - black 5 - yellow 6 - green 7 - brown 8 - gray 9 - violet